

3M™ Water Filtration

SPEC# _____

QUANTITY _____

application: **WHOLE HOUSE FILTRATION**

models:

AP902/AP903



3M™ Water Filtration Products Models AP902/AP903 single cartridge water filtration systems help provide consistent high quality water for whole house filtration at flow rates up to 20 gpm (75.7 lpm).

- **AP902** reduces sediment for up to 100,000 gallons (378,541 liters), while providing unrestricted flow with 1" NPT connections. This filter is ideal for larger homes and light commercial applications.
- **AP903** reduces sediment and chlorine taste and odor for up to 100,000 gallons (378,541 liters), while providing unrestricted flow with 1" NPT connections. This filter is ideal for larger homes and light commercial applications.

PRODUCT BENEFITS

- 304 stainless steel head allows for "sweat in place" installation and is a non-corrosive material.
- 1" inlet and outlet connections for easy installation and high flow rates up to 20 gpm (75.7 lpm).
- Tested and rated to 20 gpm (75.7 lpm) flow rate, meeting most residential and light commercial applications.
- Sanitary Quick Change (SQC) design, an industry first for this application, allows for fast and easy cartridge change-outs without the need of a filter wrench.
- Rated for 100,000 gallons (378,541 liters) or one year of normal water conditions, reduces inconvenient and frequent cartridge change-outs.
- Electronic countdown timer refrigerator magnet included in the installation kit to help remind the homeowner when cartridge change-out time is near. (coming soon)
- Manufactured from FDA CFR-21 compliant materials.
- 10 year limited system warranty.
- 25 year limited stainless steel head warranty.

PRODUCT SPECIFICATIONS

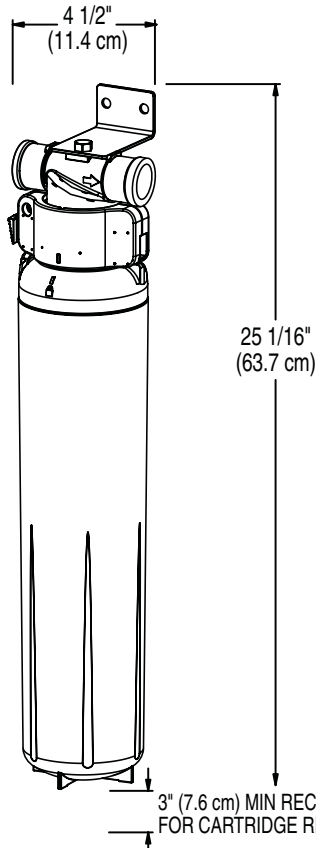
Model Number	Part Number	Reduction Claims	Inlet/Outlet Size	Dimensions (Ht. x Dia.)	Approx. Weight	Service Flow Rate	Temperature Range	Pressure Range	Degree of Filtration	Replacement Cartridge
AP902	56211-01	Sediment	1" NPT	25 1/16" x 4 1/2" (63.7 cm x 11.4 cm)	7.0 lbs. (3.2 kg)	20 gpm (75.7 lpm)	40 - 100°F (4.4 - 37.8°C)	25 - 125 psi (172 - 862 kPa)	5 Micron Nominal	AP910R: 56210-02
AP903	56211-02	Sediment, Chlorine Taste and Odor	1" NPT	25 1/16" x 4 1/2" (63.7 cm x 11.4 cm)	7.5 lbs. (3.4 kg)	20 gpm (75.7 lpm)	40 - 100°F (4.4 - 37.8°C)	25 - 125 psi (172 - 862 kPa)	5 Micron Nominal	AP917R: 56210-03



AP902/AP903

3M™ Water Filtration Products

SPEC# _____
QUANTITY _____
MODEL NUMBER _____
PART NUMBER _____



⚠ WARNING: To reduce the risk associated with the ingestion of contaminants:

- Do not use with water that is microbiologically unsafe or of unknown quality without adequate disinfection before or after the system.

CUNO Incorporated recommends regularly scheduled maintenance and replacement of the filter cartridge(s) in order for the product to perform as advertised/sold. CUNO shall not be liable for system failures due to improper maintenance.

LIMITED WARRANTY

CUNO Incorporated warrants this Product (excluding disposable filter cartridge(s)) to be free from defects in material and workmanship for ten (10) years from the date of purchase for the system and twenty-five (25) years from the date of purchase for the stainless steel head. The disposable filter cartridge is warranted from defects in materials and workmanship for a period of one (1) year from the date of purchase. This warranty does not cover failures resulting from abuse, misuse, alteration or damage not caused by CUNO or failure to follow installation and use instructions. If the Product is defective CUNO will replace the Product or refund your Product purchase price. CUNO will not be liable for any indirect, special, incidental, or consequential damages arising from the use of this Product. Some states do not allow the exclusion or limitation of incidental or consequential damages, so the above limitation may not apply to you. To obtain warranty service, mail your request to Warranty Claims, CUNO Incorporated, 400 Research Parkway, Meriden, CT 06450. Proof of purchase (original sales receipt) must accompany the warranty claim, along with a complete description of the Product, model number and alleged defect. This warranty gives you specific legal rights and you may have other rights which vary from state to state, or country to country.

PHYSICAL SPECIFICATIONS

- System includes a head assembly with integral mounting bracket and a single cartridge filter.
- Inlet and outlet plumbing connections are 1" NPT.
- Filter cartridge is o-ring seal type.
- System maximum operating pressure of 125 psi (862 kPa) and operating temperature of 100°F (37.8°C).
- Recommended service flow rate is up to 20 gpm (75.7 lpm).
- Filter cartridge incorporates a non woven blended pleat media (AP910R).
- Filter cartridge incorporates carbon block filtration with a non woven blended pleat media (AP917R).
- System materials are FDA CFR-21 compliant.
- Cartridges are sanitary in design, requiring no contact with the filter media during cartridge change-out.
- Filter cartridge requires no pre-activation.
- System weight: 7 lbs. (3.2 kg) (AP902).
- System weight: 7.5 lbs. (3.4 kg) (AP903).
- Case quantity: 1.

IMPORTANT: INSTALLATION TIPS

These installation tips are for informational purposes only and are not intended to be used as actual installation instructions. **CAUTION: To reduce the risk associated with property damage due to water leakage:**

- **Read and follow** Use Instructions before installation and use of this system.
- Installation and use **MUST** comply with all state and local plumbing codes.
- **Protect from freezing**, remove filter cartridge when temperatures are expected to drop below 40°F (4.4°C).
- **Do not install on hot water supply lines.** The maximum operating water temperature of this filter system is 100°F (37.8°C).
- **Do not install** if water pressure exceeds 125 psi (862 kPa). If your water pressure exceeds 80 psi (552 kPa), you must install a pressure limiting valve. Contact a plumbing professional if you are uncertain how to check your water pressure.
- **Do not install** where water hammer conditions may occur. If water hammer conditions exist you must install a water hammer arrester. Contact a plumbing professional if you are uncertain how to check for this condition.
- The disposable filter cartridge **MUST** be replaced every 12 months, at the rated capacity or if a noticeable reduction in flow rate occurs.

